

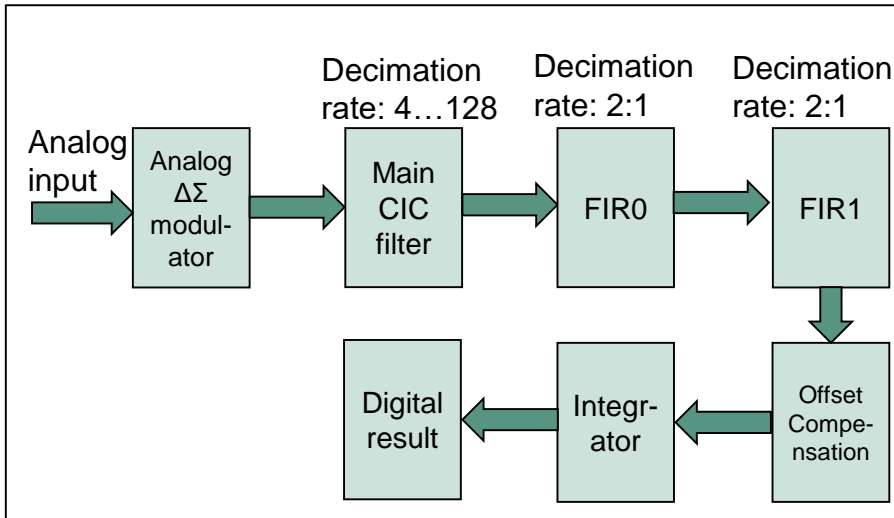
# DSADC

## Delta-Sigma Analog-to-Digital Converter

AURIX™ TC2xx Microcontroller Training  
V1.0 2019-03



# Delta-Sigma Analog-to-Digital Converter



## Highlights

- >  $\Delta\Sigma$ ADC has higher accuracy and is widely used in e.g. engine pressure measurement, fuel injection control etc.
- > Demodulator filter chain
- > Saves external resolver chip for electro motor control application

## Key Features

Up to 80 dB SNR

Concatenated hardware filter stages

Support for resolver application

## Customer Benefits

- > ENob accuracy up to 13 bit (related to pass band  $f_{PB}$  and modulator frequency  $f_{MOD}$ )
- > Over sampling and filtering by hardware
- > Carrier generator included. Rectification, delay compensation by hardware

- › DSADC supports up to 20 MHz sampling rate ( $f_{\text{MOD}}$ )
- › The accuracy performance is related to which connection mode is used (differential mode is optimal), calibration is done or not, if all filters are enabled. The limitation on pass band should also be considered
- › The conversion between SNR (dB) and ENoB (bit) is:
$$\text{ENoB} = (\text{SNR} - 1.76) / 6.02$$
- › In automotive industry, high accuracy ADC results are required for application like combustion engine in-cylinder pressure measurement and fuel injection control etc.

## Concatenated hardware filter stages

---

- › DSADC over samples at modulator frequency  $f_{MOD}$
- › Corresponding demodulator is also called filter chain. There are:
  - The Cyclic Integrating Comb (CIC) filter provides the basic filtering and decimation with a selectable decimation rate
  - Two Finite Impulse Response (FIR) filters, allow effective signal shaping by attenuating the upper frequencies of the signal spectrum
  - The high-pass filter provides offset compensation by removing the DC component of the input signal
- › Knock detection is one typical automotive application for DSADC. The filter chain helps signal processing and offloads CPU computation
- › In electro motor control application, optionally the user can bypass FIR because
  - FIR generates more group delay
  - Electro motor control application may not need very high SNR

## Support for resolver application

---

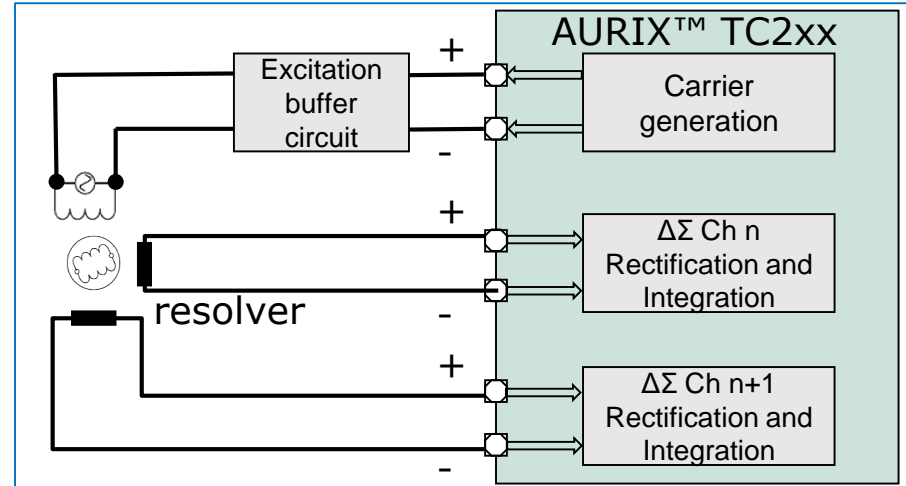
- › In electro motor control application, user must know the rotary position. DSADC offers the possibility of measuring the rotary position, otherwise this has to be done by a resolver sensor, which adds extra cost to the application
- › AURIX™ provides carrier generator and integrator to reduce system cost
  - Carrier generator provides excitation sine signal
  - Integrator does carrier elimination
  - Signal delay compensation and rectification also supported
- › In safety critical use cases, user may use AURIX™ resolver support together with external resolver sensor for redundancy

- › DSADC is the same as most other components, connected on System Peripheral Bus (SPB)
- › There's no dedicated DSADC pins. All DSADC pins are overlaid with VADC pins. If necessary, one ADC pin can be converted by both DSADC and VADC at the same time e.g. to implement redundancy
- › It is possible to use DSADC in
  - differential mode: the positive and negative input pins are connected to differential sensor
  - single ended mode: one pin is connected to sensor and the other pin is internally connected to ground. This causes 6 dB loss compared with differential mode
  - quasi differential mode: one pin is connected to sensor and the other pin is internally connected to common mode voltage ( $V_{CM}$ ). At the same time the programmable gain is set to factor of 2. The benefit is this brings 3 dB compared with single ended mode

# Application example

## Resolver interface implementation

- > The carrier generator output is differential
- > Excitation buffer converts digital signal to sinusoidal wave
- > 2 orthogonally placed coils are excited by the magnetic field of the third coil, which is connected to carrier buffer circuit
- > After integrator, carrier is cancelled. With software trigonometric computation, the rotary position can be determined



## Overview

- > Resolver application occupies the carrier generator and 2 DSADC channels. One for sine and one for cosine signal
- > Dedicated resolver sensor can be saved to reduce system cost

## Advantages

- > AURIX™ provides carrier generator and integrator, which are conventionally provided by resolver sensor
- > User just needs to implement the external excitation buffer circuit

## Trademarks

All referenced product or service names and trademarks are the property of their respective owners.

**Edition 2019-03**

**Published by**

**Infineon Technologies AG  
81726 Munich, Germany**

**© 2019 Infineon Technologies AG.  
All Rights Reserved.**

**Do you have a question about this document?**

**Email: [erratum@infineon.com](mailto:erratum@infineon.com)**

**Document reference**

**AURIX\_Training\_1\_**

**Delta-Sigma\_Analog-to-Digital\_Converter**

## IMPORTANT NOTICE

The information given in this document shall in no event be regarded as a guarantee of conditions or characteristics (“Beschaffenheitsgarantie”).

With respect to any examples, hints or any typical values stated herein and/or any information regarding the application of the product, Infineon Technologies hereby disclaims any and all warranties and liabilities of any kind, including without limitation warranties of non-infringement of intellectual property rights of any third party.

In addition, any information given in this document is subject to customer’s compliance with its obligations stated in this document and any applicable legal requirements, norms and standards concerning customer’s products and any use of the product of Infineon Technologies in customer’s applications.

The data contained in this document is exclusively intended for technically trained staff. It is the responsibility of customer’s technical departments to evaluate the suitability of the product for the intended application and the completeness of the product information given in this document with respect to such application.

For further information on the product, technology, delivery terms and conditions and prices please contact your nearest Infineon Technologies office ([www.infineon.com](http://www.infineon.com)).

## WARNINGS

Due to technical requirements products may contain dangerous substances. For information on the types in question please contact your nearest Infineon Technologies office.

Except as otherwise explicitly approved by Infineon Technologies in a written document signed by authorized representatives of Infineon Technologies, Infineon Technologies’ products may not be used in any applications where a failure of the product or any consequences of the use thereof can reasonably be expected to result in personal injury.